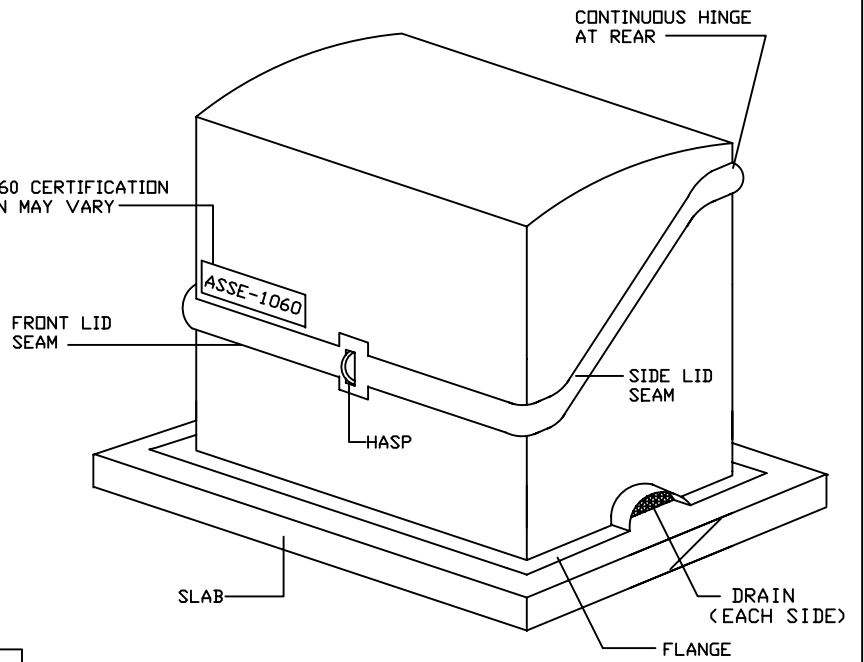


ASSE-1060 CERTIFICATION
LOCATION MAY VARY



NOTES:

1. STANDARD ENCLOSURE IS TYPICAL FOR 1 1/2"-2" INSTALLATIONS.
2. ENCLOSURES FOR OTHER SIZES MAY VARY IN DESIGN AND SIZE.
3. ALL ABOVE GROUND ENCLOSURES SHALL BE ASSE-1060 CERTIFIED.
4. RECOMMENDED HEAT SOURCE IS PROVIDED BY 90 WATT, 120 VOLT, SINGLE PHASE TRACE CABLE.

DAVIDSON WATER INC.
WELCOME, NORTH CAROLINA
BACKFLOW PREVENTION

ABOVE GROUND ENCLOSURE
STANDARD DETAIL

FOR ASSEMBLY SIZE
1-1/2"-2"
ABOVE GROUND

SCALE: NOT TO SCALE
REVISED: 10/08/07