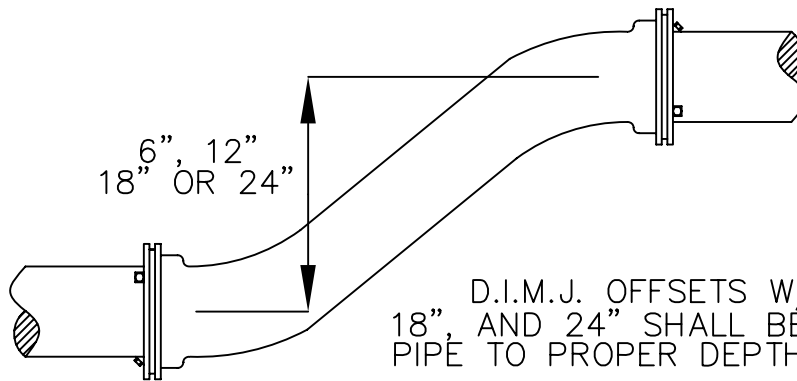


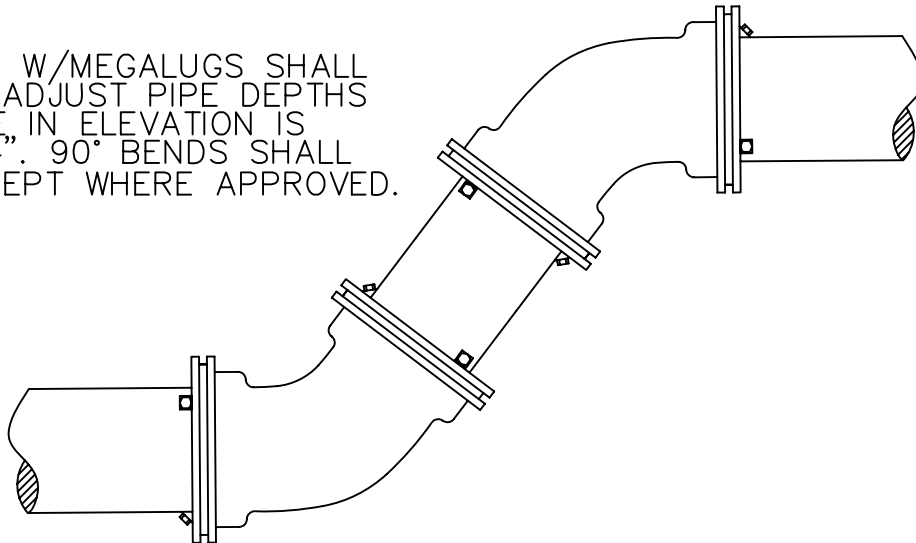
OFFSETS & RESTRAINTS

PIPING FROM MAIN TO VAULT SHALL BE M.J. DUCTILE IRON W/MEGALUGS OR RESTRAINED JOINT DUCTILE IRON. OUTLET PIPING SHALL BE RESTRAINED TO A CALCULATED DISTANCE, ADEQUATE TO PREVENT MOVEMENT DUE TO BACK PRESSURE AND STATIC HEAD.



D.I.M.J. OFFSETS W/MEGALUGS OF 6", 12", 18", AND 24" SHALL BE INSTALLED TO ADJUST PIPE TO PROPER DEPTH ENTERING VAULTS.

D.I.M.J. 45° BENDS W/MEGALUGS SHALL BE INSTALLED TO ADJUST PIPE DEPTHS WHERE DIFFERENCE IN ELEVATION IS GREATER THAN 24". 90° BENDS SHALL NOT BE USED EXCEPT WHERE APPROVED.



DAVIDSON WATER INC.
WELCOME, NORTH CAROLINA
BACKFLOW PREVENTION

BACKFLOW PREVENTION
STANDARD DETAIL

OFFSETS & RESTRAINTS

SCALE: NOT TO SCALE
REVISED: 3/15/07